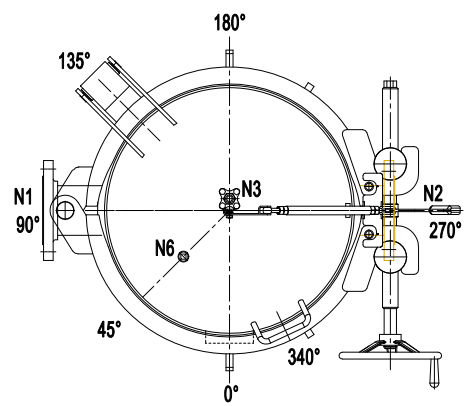
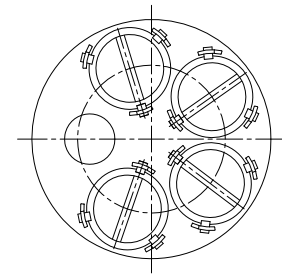
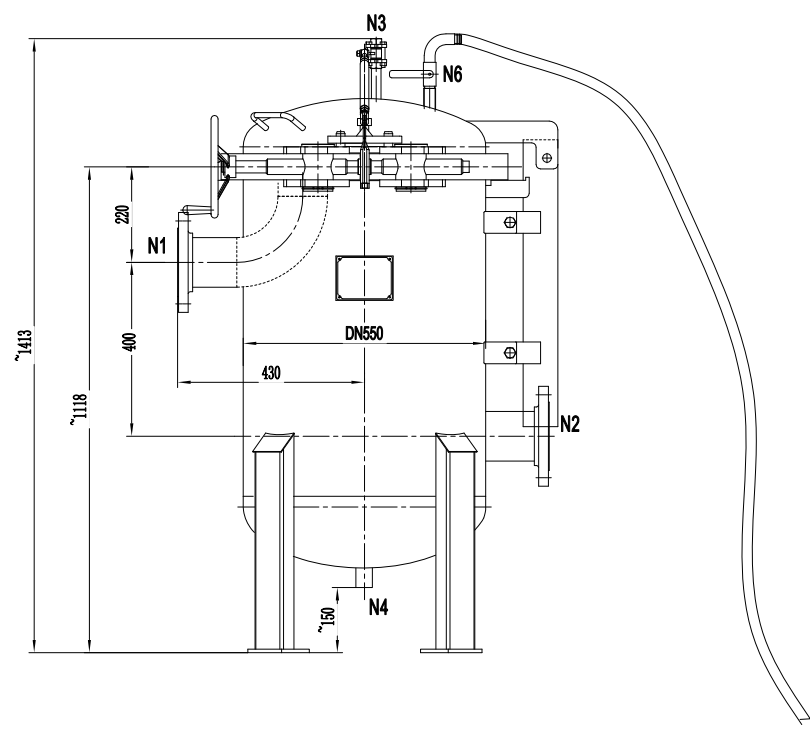


NOZZLE SIZE AND COUPLING				
1	N1	Inlet	HG20615-2009	S0100-20 RF
2	N2	Outlet	HG20615-2009	S0100-20 RF
3	N3	Vent	1/2" NPT	
4	N4	Drain	1" NPT	
5	N6	Vent	1/2" NPT	



DESIGNED	GWX	2022.05.23	BFR FILTER		WET PART MAT. :	
CHECKED					WEIGHT(Kg)	SCALE
APPROVED						1:1
TAG. NO.			QTY.		MODEL	BFRB4A100P6L3
DWG. NO.	GWX0509-13		REV.	1	QUOTN. NO.	

LIVIC
The Powerful and Professional Filtration Support

Shanghai Livic Filtration System Co., Ltd.
Visit www.livicfilter.com for more information on self-cleaning filter, bag filter, cartridge filter, basket filter etc..
T:++86.21.68173577 F:++86.21.68173570 sales@livicfilter.com